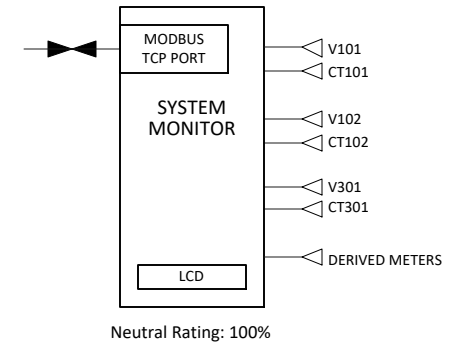
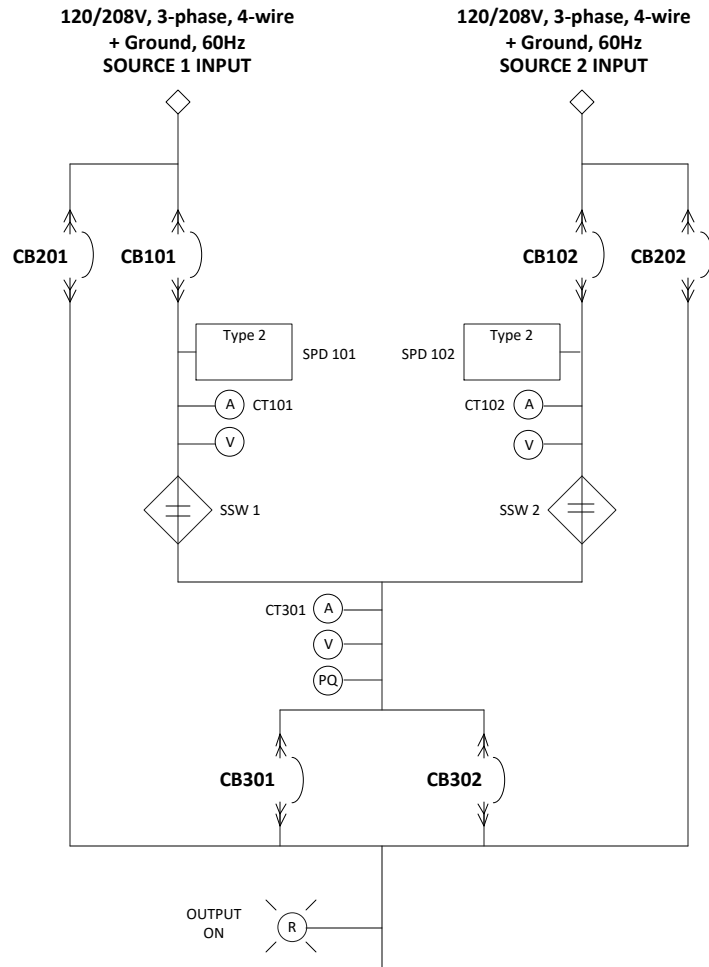


Series 70 eSTS
 400A, 2-source, 4-pole, 4-wire, 65kA, SMR

CIRCUIT BREAKER DATA

REF NO	RATING	FAULT RATING	TYPE	MOUNTING	AUXILIARY CONTACTS	SHUNT TRIPS	MFG	BREAKER SERIES
CB101 CB201 CB102 CB202	400AF	65kA @ 240VAC (per UL ratings)	Molded Case Switch 4-pole	Plug-in	Yes Internal Use Only	No	ABB	Tmax T5
CB301 CB302	400AF	65kA @ 240VAC (per UL ratings)	Molded Case Switch 4-pole	Plug-in	Yes Internal Use Only	No	ABB	Tmax T5



NOTE:

REFER TO THE MECHANICAL OUTLINE DRAWING FOR INFORMATION ON THE CUSTOMER CONNECTION TERMINALS.

LEGEND

- (A) CURRENT METERING POINT
- (V) VOLTAGE METERING POINT
- (PQ) POWER QUALITY METERING POINT



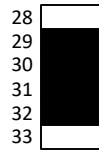
PAGE DESCRIPTION
 ONE LINE DIAGRAM, eSTS

JOB LZ-11137	DRAWN	DATE 8/9/2023	DWG NO 94-ES-11137-1	REV A
	CHK	DATE		
	APPR	DATE	SHEET 1 OF 2	

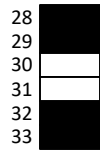
CUSTOMER INTERFACE BOARD (CIB)

EXTERNAL CONTROL CONTACTS

S1 EXTERNAL
PREFERRED SELECT



S2 EXTERNAL
PREFERRED SELECT



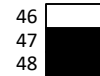
FRONT PANEL
PREFERRED SELECT

ANY COMBINATION OTHER
THAN THE TWO ABOVE

NORMAL STS OPERATION
(NO REMOTE TRANSFER INHIBIT)



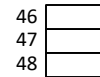
REMOTE TRANSFER
INHIBIT COMMAND



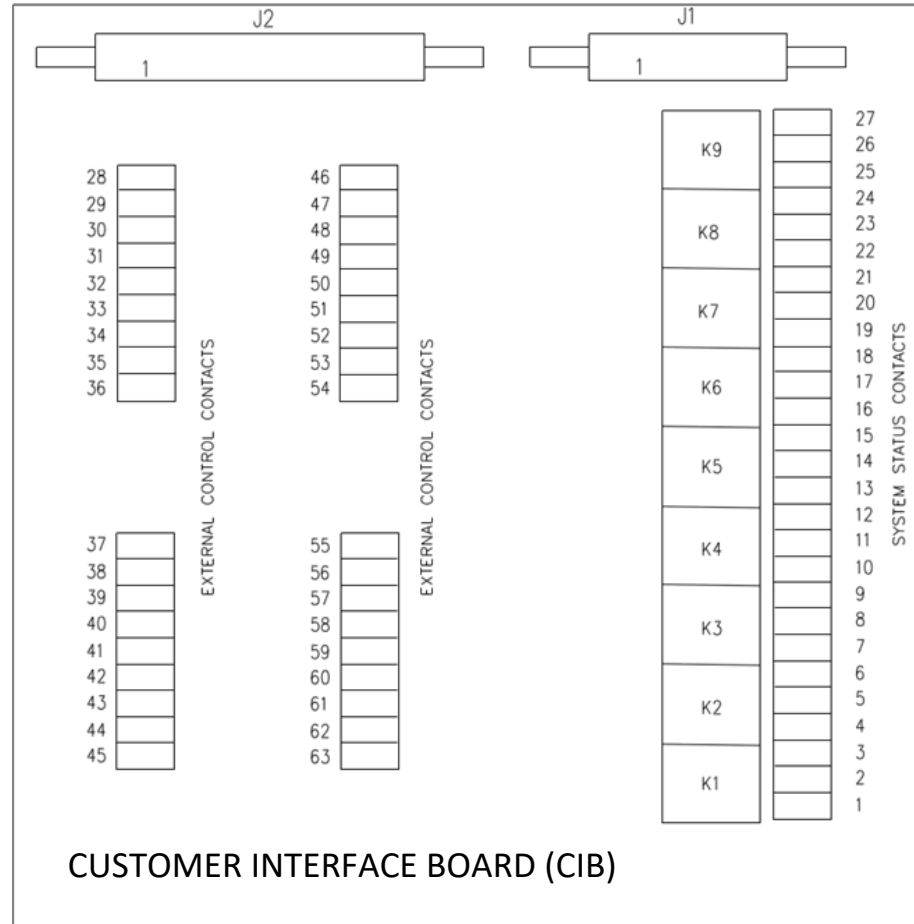
NORMAL STS OPERATION
(WITH FORM C ALARM)



NORMAL STS OPERATION
(WITH FORM C ALARM)



 SYMBOL FOR CLOSED CONTACTS



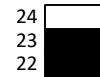
CUSTOMER INTERFACE BOARD (CIB)

SYSTEM STATUS CONTACTS

NORMAL STS OPERATION
(NO REMOTE TRANSFER INHIBIT)



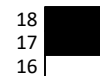
REMOTE TRANSFER INHIBIT
COMMAND RECEIVED



SOURCE 2 FAILURE



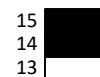
SOURCE 2 AVAILABLE



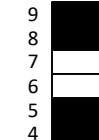
SOURCE 1 FAILURE



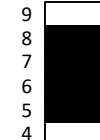
SOURCE 1 AVAILABLE



SOURCE 1
ACTIVE SOURCE



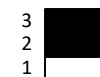
SOURCE 2
ACTIVE SOURCE



SUMMARY ALARM



NO SUMMARY ALARM



NOTES:

1. TERMINAL NUMBERS REFER TO TERMINALS ON CUSTOMER INTERFACE BOARD (CIB). REFER TO THE MECHANICAL OUTLINE DRAWING FOR EXACT LOCATION OF THE CIB AND CUSTOMER WAN.

2. TERMINALS SUITABLE FOR AWG 20-16 STRANDED COPPER WIRE. MAXIMUM ONE WAY LENGTH FOR #16: 500 ft (152 m).

3. ALL WIRING TO BE IN ACCORDANCE WITH THE NATIONAL ELECTRIC CODE AND ALL LOCAL CODES. CONTROL AND STATUS WIRING MUST BE RUN AND IN SEPARATE CONDUIT FROM POWER WIRING.

4. SYSTEM STATUS OUTPUTS ARE DRY, POTENTIAL-FREE CONTACTS. CUSTOMER REQUIREMENTS ARE AS FOLLOWS:
a. Circuit voltage $V < 250$ V AC with current $I < 12$ A RMS, power factor = 1.0.
b. Circuit voltage $V < 200$ V DC with current $I < 0.4$ A.

5. SYSTEM CONTROL INPUTS READ COMMANDS FROM EXTERNAL CONTACTS. CUSTOMER REQUIREMENTS ARE AS FOLLOWS:
a. Dry, potential-free contacts.
b. Form C
c. Contacts are to be capable of switching 24 V DC at 5 mA $< I < 10$ mA.



PAGE DESCRIPTION

ONE LINE DIAGRAM, eSTS

JOB LZ-11137	DRAWN	DATE 8/9/2023	DWG NO 94-ES-11137-1	REV A
	CHK	DATE		
	APPR	DATE	SHEET 2 OF 2	