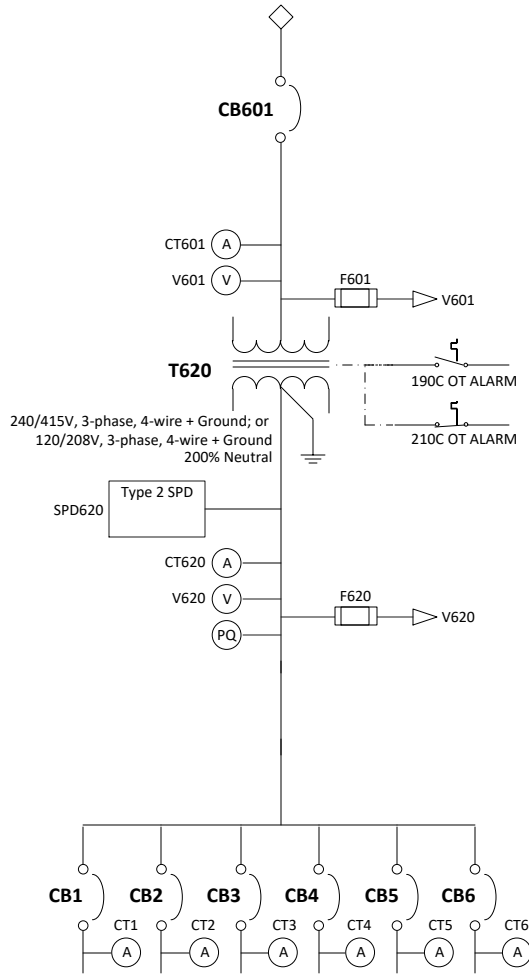


Series 70 ePODs: Type-X

480V, 3-Phase, 3-Wire + Ground, 60Hz



TRANSFORMER DATA

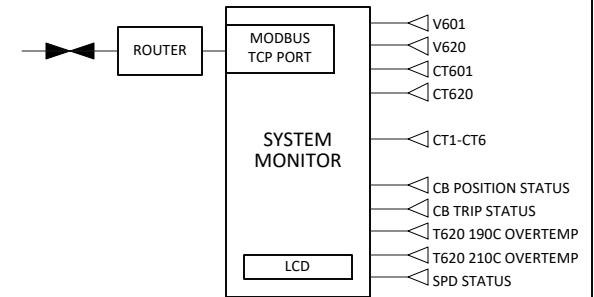
REF NO	INPUT	OUTPUT	SIZE	K-FACTOR	TEMP RISE	EFFICIENCY CLASS	INRUSH
T620	480V, 3-Phase, 3-Wire + Ground	240/415V, 3-phase, 4-wire + Ground; or 120/208V, 3-phase, 4-wire + Ground	500kVA	k-9	150C	Per DOE 2016	6X Max

CIRCUIT BREAKER DATA

REF NO	RATING	FAULT RATING	TYPE	MOUNTING	AUXILIARY CONTACTS	SHUNT TRIPS	MFG	BREAKER SERIES
CB601	800AF / 800AT, 80%	65kAIC @ 480VAC (per UL ratings)	Electronic Trip (LSI)	Fixed	No	No	ABB	Tmax T6
CB1-6	400AF / 400AT, 100%	35kAIC @ 480VAC (per UL ratings)	Electronic Trip (LSI)	Fixed, (2) 2/0-500 MCM load lugs	Yes - monitored internally	No	ABB	Tmax T5

ADDITIONAL INFORMATION:

- Input Connections: Mechanical Lugs, (2) 250-500MCM
- Display Type: Digiware



LEGEND

- (A) CURRENT METERING POINT
- (V) VOLTAGE METERING POINT
- (PQ) POWER QUALITY METERING POINT



PAGE DESCRIPTION
ONE LINE DIAGRAM, Type-X ePODs

JOB	DRAWN	DATE	DWG NO	REV
LZ-11216		8/9/2023	94-ES-11216-1	A
	CHK	DATE		
	APPR	DATE		

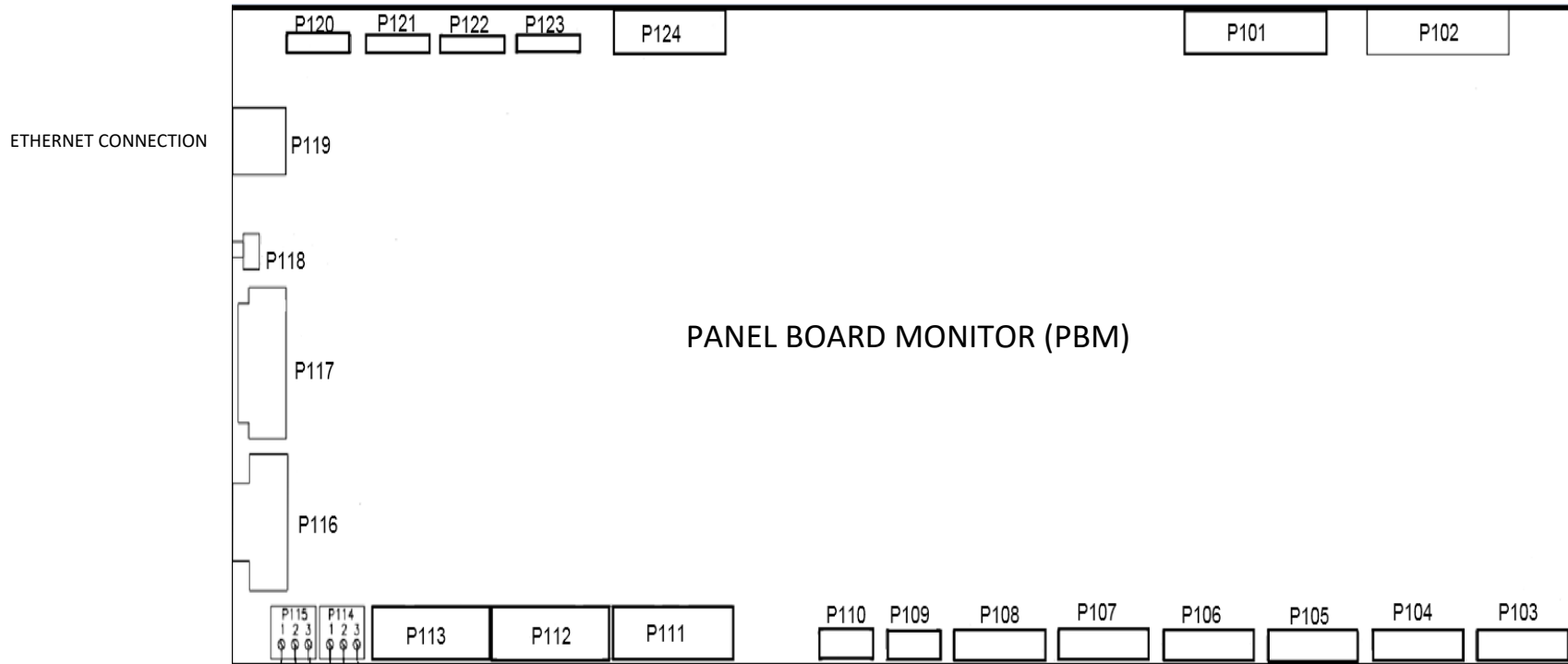
SHEET 1 OF 4

THIS PAGE INTENTIONALLY LEFT BLANK

PANEL BOARD MONITOR (PBM)



SYMBOL FOR CLOSED CONTACTS



P115
SUMMARY ALARM

SUMMARY ALARM



NO SUMMARY ALARM



NOTES:

1. TERMINAL NUMBERS REFER TO TERMINALS ON PANEL BOARD MONITOR (PBM). THE PBM IS LOCATED IN THE CONTROLS/MONITORING SECTION. REFER TO THE MECHANICAL OUTLINE DRAWING FOR EXACT LOCATION.
2. TERMINALS SUITABLE FOR AWG 20-16 STRANDED COPPER WIRE. MAXIMUM ONE WAY LENGTH FOR #16: 500 ft (152 m).
3. ALL WIRING TO BE IN ACCORDANCE WITH THE NATIONAL ELECTRIC CODE AND ALL LOCAL CODES. CONTROL AND STATUS WIRING MUST BE RUN AND IN SEPARATE CONDUIT FROM POWER WIRING.
4. SUMMARY ALARM CONTACTS ARE DRY, POTENTIAL-FREE CONTACTS.
CUSTOMER REQUIREMENTS ARE AS FOLLOWS:
 - a. Open circuit voltage \leq 120 V RMS AC.
 - b. Closed circuit current \leq 1 A RMS.

		PAGE DESCRIPTION		
		ONE LINE DIAGRAM, Type-X ePODs		
JOB	DRAWN	DATE	DWG NO	REV
LZ-11216	CHK	8/9/2023	94-ES-11216-1	A
	APPR	DATE	SHEET 3 OF 4	

THIS PAGE INTENTIONALLY LEFT BLANK