

REVISIONS				
ECN	REV	DESCRIPTION	DATE	APPROVED
NA	A	INITIAL RELEASE	02/21/2019	STEVE JANKO
	B	REVISE SHT3	05/30/2019	STEVE JANKO
	C	REVISE SHT1 NOTE 6	01/04/2021	STEVE JANKO
	D	REVISE SHT4 GROUND BUS	02/26/2021	STEVE JANKO
	E	GENERAL REVISION TO AS BUILT / ALL SHEETS	09/21/2021	STEVE JANKO

Notes:

- Front access only required for operation and servicing of Series 70 eSTS. Top or Bottom Access is available. When top access only is required then junction box supplied for the top of the cabinet. When bottom access only is required then junction box supplied for the bottom of the cabinet. Top and bottom access utilized with junction boxes at top and bottom of cabinet. Junction Boxes will ship separately for field installation mating to cabinet access plates. Additional views on remaining sheets will not show junction box. A clearance of 18 inches to the right side of the cabinet for input wiring is preferred.
- Junction box height offset 18IN (457mm) from top or bottom of cabinet. Offset from the base mounting of the cabinet is 13.4IN (340mm). An additional optional 36IN (680mm) junction box is available. Please specify at the time of order for desired options. See sheet 5 for junction box detail.
- The Series 70 eSTS is mounted on a single common frame with all internal connections factory provided.
- The unit is provided with front forklift provision as shown on Sht2 for maneuvering.
- For the 2 Source Series 70 eSTS, with a 480V / 1600A / 60Hz / SMR 3-wire configuration: See Sheet 2 for Cable Access Areas (Table II) and recommended wire size (Table II). See Sheet 4 for Cable Landing locations/
- eSTS Heat Rejection: 26,000 BTU/Hr [7,625W]
- Not Provided - Optional Seismic Mounting Brackets for seismic installations.
- WARNING: A minimum of 4.0 inches is required between the back of the eSTS and any obstruction or wall to permit proper cooling of the unit and allow access for securing eSTS to the floor.
- See One-Line electrical diagram for further detail.

RECOMMENDED MINIMUM CLEARANCES:  
 FRONT: 42 IN. [1067]  
 REAR: 4 IN. [102]  
 SIDES: 0 IN.  
 TOP: 18IN. [457]  
 GROSS WEIGHT:  
 4,800# [2177kg]

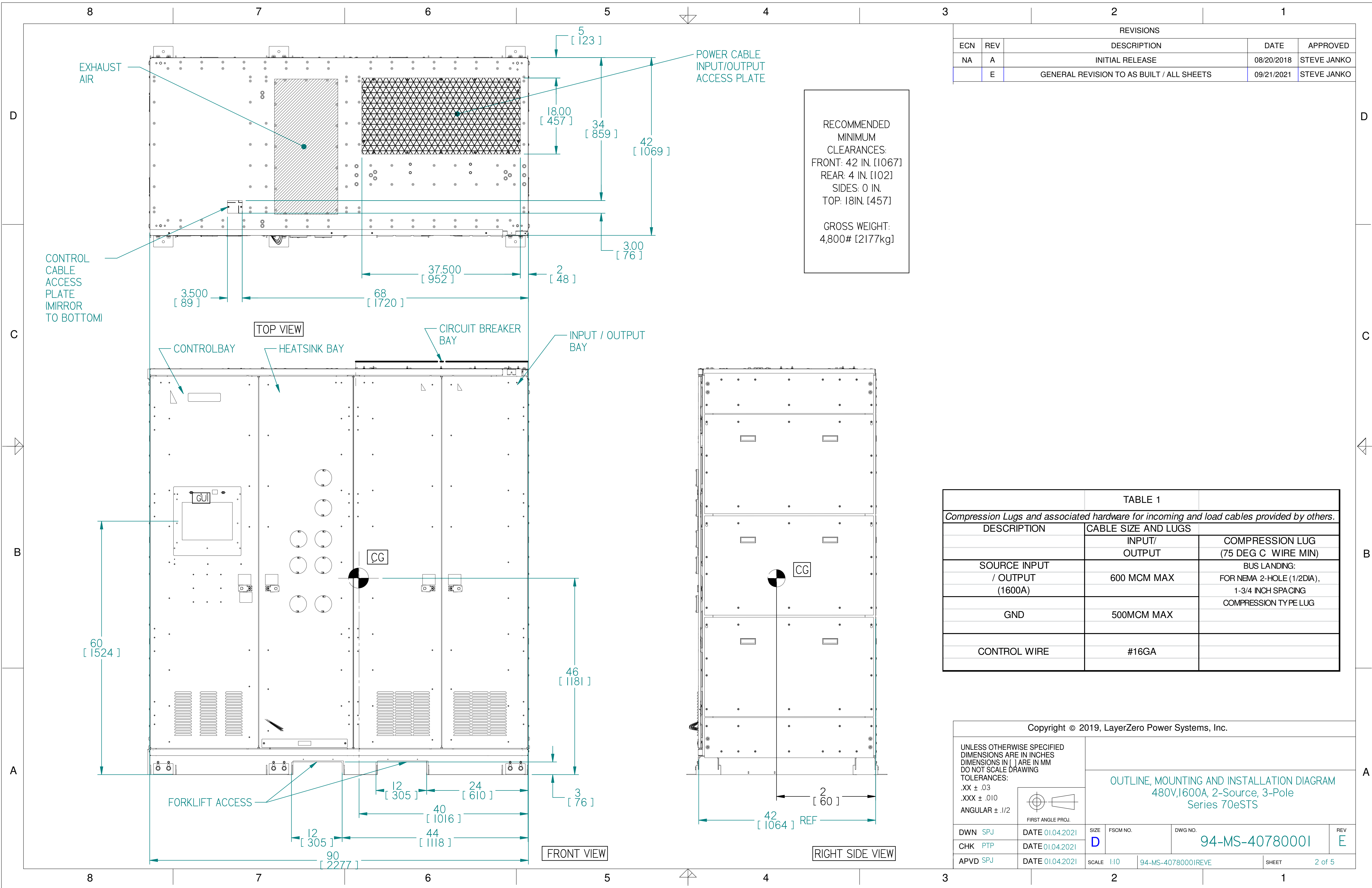
Copyright © 2019, LayerZero Power Systems, Inc.

UNLESS OTHERWISE SPECIFIED DIMENSIONS ARE IN INCHES DIMENSIONS IN [ ] ARE IN MM DO NOT SCALE DRAWING TOLERANCES:  
 .XX ± .03  
 .XXX ± .010  
 ANGULAR ± .1/2

FIRST ANGLE PROJ.

OUTLINE, MOUNTING AND INSTALLATION DIAGRAM  
 480V,1600A, 2-Source, 3-Pole  
 Series 70eSTS

DWN SPJ	DATE 01.04.2021	SIZE D	FSCM NO.	DWG NO. 94-MS-40780001	REV E
CHK PTP	DATE 01.04.2021	SCALE 1:10	94-MS-40780001REVE	SHEET 1 of 5	
APVD SPJ	DATE 01.04.2021				



RECOMMENDED  
MINIMUM  
CLEARANCES:  
FRONT: 42 IN. [1067]  
REAR: 4 IN. [102]  
SIDES: 0 IN.  
TOP: 18 IN. [457]

GROSS WEIGHT:  
4,800# [2177kg]

REVISIONS				
ECN	REV	DESCRIPTION	DATE	APPROVED
NA	A	INITIAL RELEASE	08/20/2018	STEVE JANKO
	E	GENERAL REVISION TO AS BUILT / ALL SHEETS	09/21/2021	STEVE JANKO

TABLE 1		
Compression Lugs and associated hardware for incoming and load cables provided by others.		
DESCRIPTION	CABLE SIZE AND LUGS	COMPRESSION LUG (75 DEG C WIRE MIN)
INPUT / OUTPUT		
SOURCE INPUT / OUTPUT (1600A)	600 MCM MAX	BUS LANDING: FOR NEMA 2-HOLE (1/2DIA), 1-3/4 INCH SPACING
GND	500MCM MAX	COMPRESSION TYPE LUG
CONTROL WIRE	#16GA	

Copyright © 2019, LayerZero Power Systems, Inc.

UNLESS OTHERWISE SPECIFIED  
DIMENSIONS ARE IN INCHES  
DIMENSIONS IN [ ] ARE IN MM  
DO NOT SCALE DRAWING  
TOLERANCES:  
.XX ± .03  
.XXX ± .010  
ANGULAR ± .1/2

FIRST ANGLE PROJ.

OUTLINE, MOUNTING AND INSTALLATION DIAGRAM  
480V,1600A, 2-Source, 3-Pole  
Series 70eSTS

DWN SPJ	DATE 01.04.2021	SIZE D	FSCM NO.	DWG NO. 94-MS-40780001	REV E
CHK PTP	DATE 01.04.2021	SCALE 1:10	94-MS-40780001REVE	SHEET 2 of 5	
APVD SPJ	DATE 01.04.2021				

8

7

6

5

4

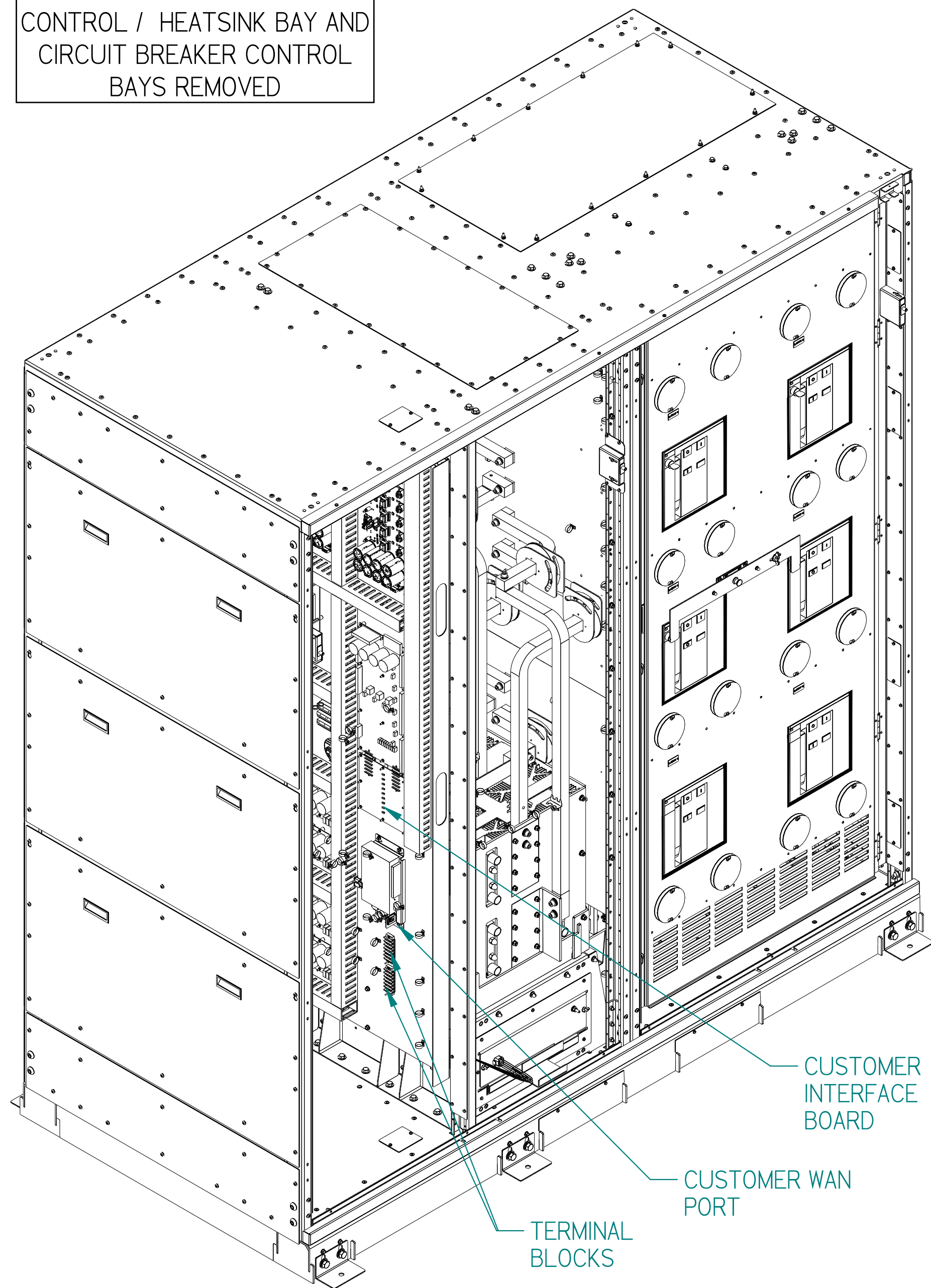
3

2

1

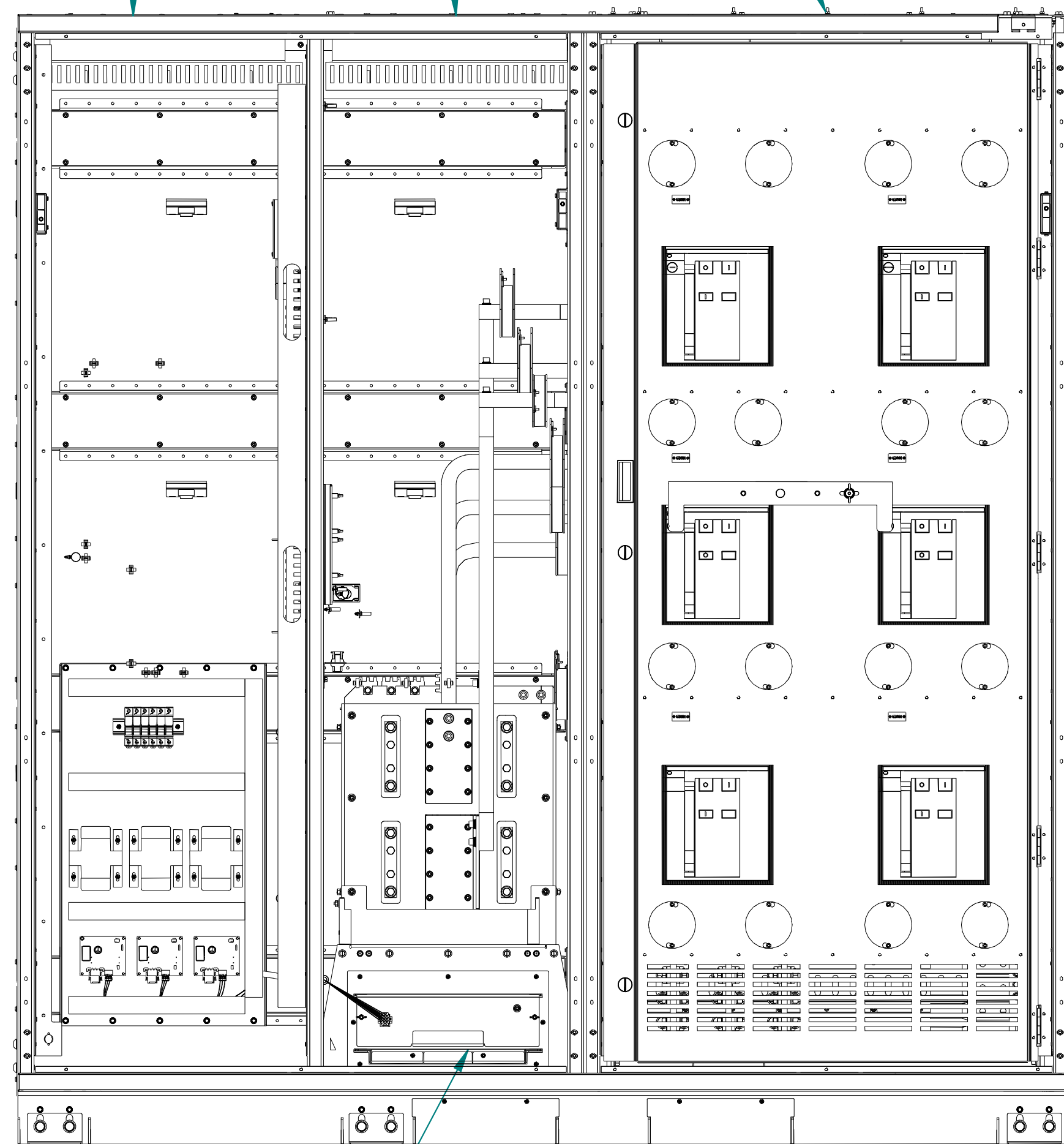
REVISIONS				
ECN	REV	DESCRIPTION	DATE	APPROVED
NA	A	INITIAL RELEASE	08/20/2018	STEVE JANKO
	B	GENERAL REVISION OF RIGHT ISOMETRIC VIEW	05/30/2019	STEVE JANKO
	E	GENERAL REVISION TO AS BUILT / ALL SHEETS	09/21/2021	STEVE JANKO

EXTERIOR DOORS FOR CONTROL / HEATSINK BAY AND CIRCUIT BREAKER CONTROL BAYS REMOVED



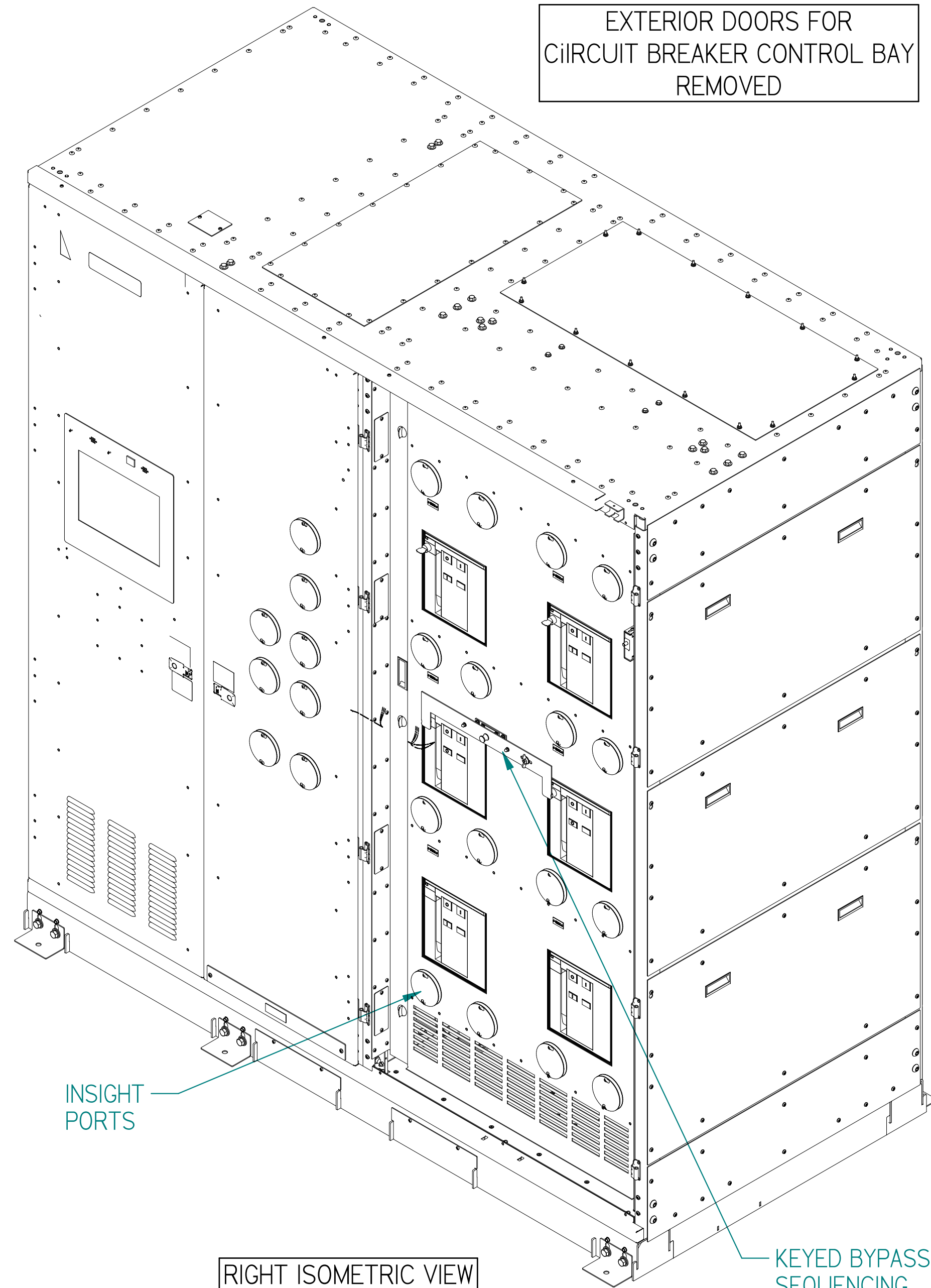
LEFT ISOMETRIC VIEW

CONTROL BAY HEATSINK BAY CIRCUIT BREAKER BAY



FRONT VIEW

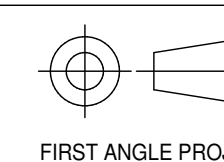
EXTERIOR DOORS FOR CIRCUIT BREAKER CONTROL BAY REMOVED



RIGHT ISOMETRIC VIEW

Copyright © 2019, LayerZero Power Systems, Inc.

UNLESS OTHERWISE SPECIFIED  
DIMENSIONS ARE IN INCHES  
DIMENSIONS IN [ ] ARE IN MM  
DO NOT SCALE DRAWING  
TOLERANCES:  
.XX ± .03  
.XXX ± .010  
ANGULAR ± .1/2



FIRST ANGLE PROJ.

OUTLINE, MOUNTING AND INSTALLATION DIAGRAM  
480V,1600A, 2-Source, 3-Pole  
Series 70eSTS

DWN SPJ	DATE 01.04.2021	SIZE D	FSCM NO.	DWG NO. 94-MS-40780001	REV E
CHK PTP	DATE 01.04.2021	SCALE 1:10	94-MS-40780001REVE	SHEET 3 of 5	
APVD SPJ	DATE 01.04.2021				

8

7

6

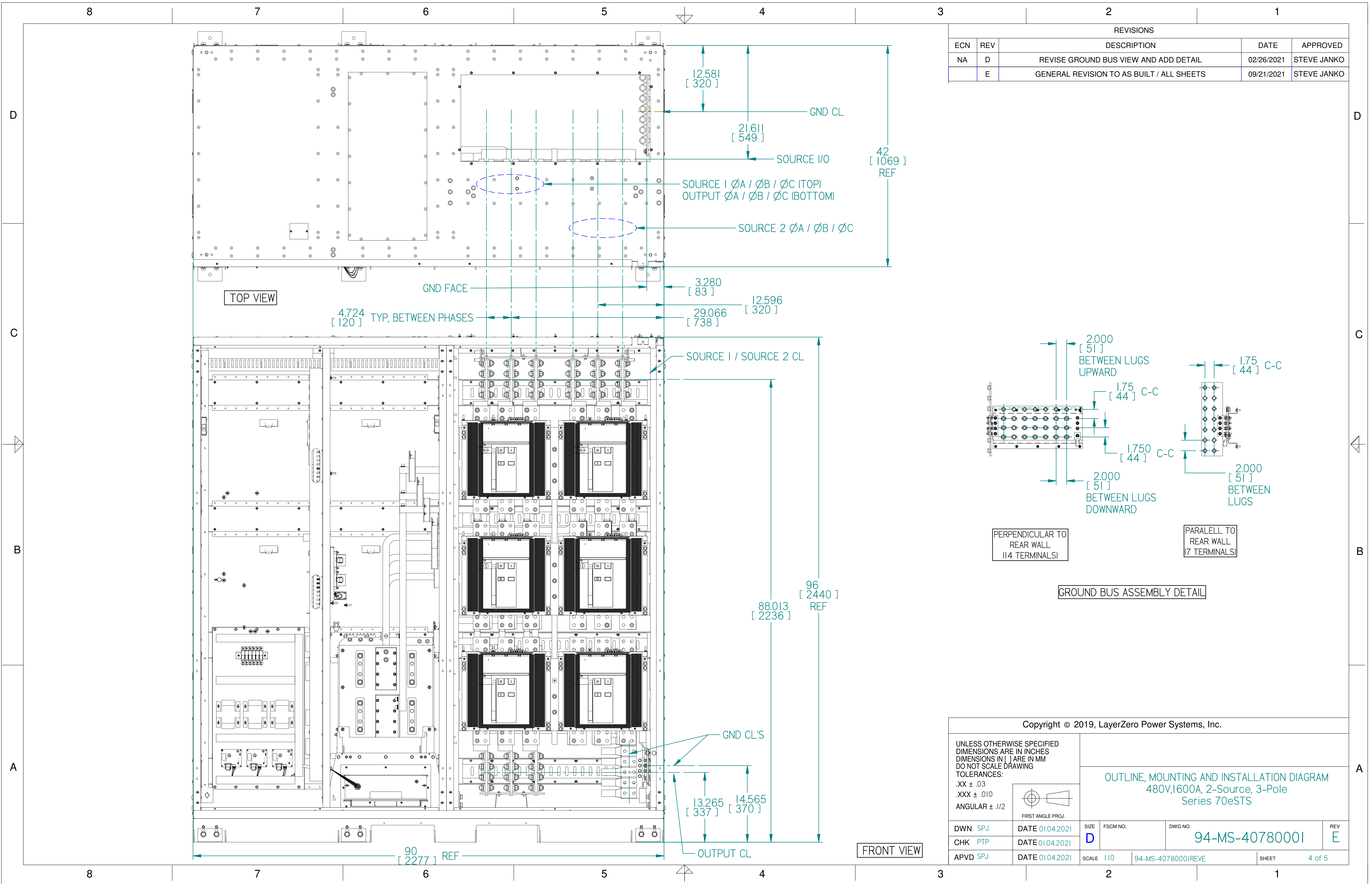
5

4

3

2

1



REVISIONS				
ECN	REV	DESCRIPTION	DATE	APPROVED
NA	D	REVISE GROUND BUS VIEW AND ADD DETAIL	02/26/2021	STEVE JANKO
	E	GENERAL REVISION TO AS BUILT / ALL SHEETS	09/21/2021	STEVE JANKO

Copyright © 2019, LayerZero Power Systems, Inc.

UNLESS OTHERWISE SPECIFIED  
DIMENSIONS ARE IN INCHES  
DIMENSIONS IN [ ] ARE IN MM  
DO NOT SCALE DRAWING  
TOLERANCES:  
.XX ± .03  
.XXX ± .010  
ANGULAR ± .1/2

FIRST ANGLE PROJ.

OUTLINE, MOUNTING AND INSTALLATION DIAGRAM  
480V, 1600A, 2-Source, 3-Pole  
Series 70eSTS

DWN SPJ	DATE 01.04.2021	SIZE D	FSCM NO.	DWG NO. 94-MS-40780001	REV E
CHK PTP	DATE 01.04.2021	SCALE 1:10	94-MS-40780001REVE	SHEET 4 of 5	

8

7

6

5

4

3

2

1

REVISIONS				
ECN	REV	DESCRIPTION	DATE	APPROVED
NA	E	ADD SHEET	09/21/2021	STEVE JANKO

### 42-01-40782001 JUNCTION BOX

### 42-00-40782050 JUNCTION BOX

D

D

C

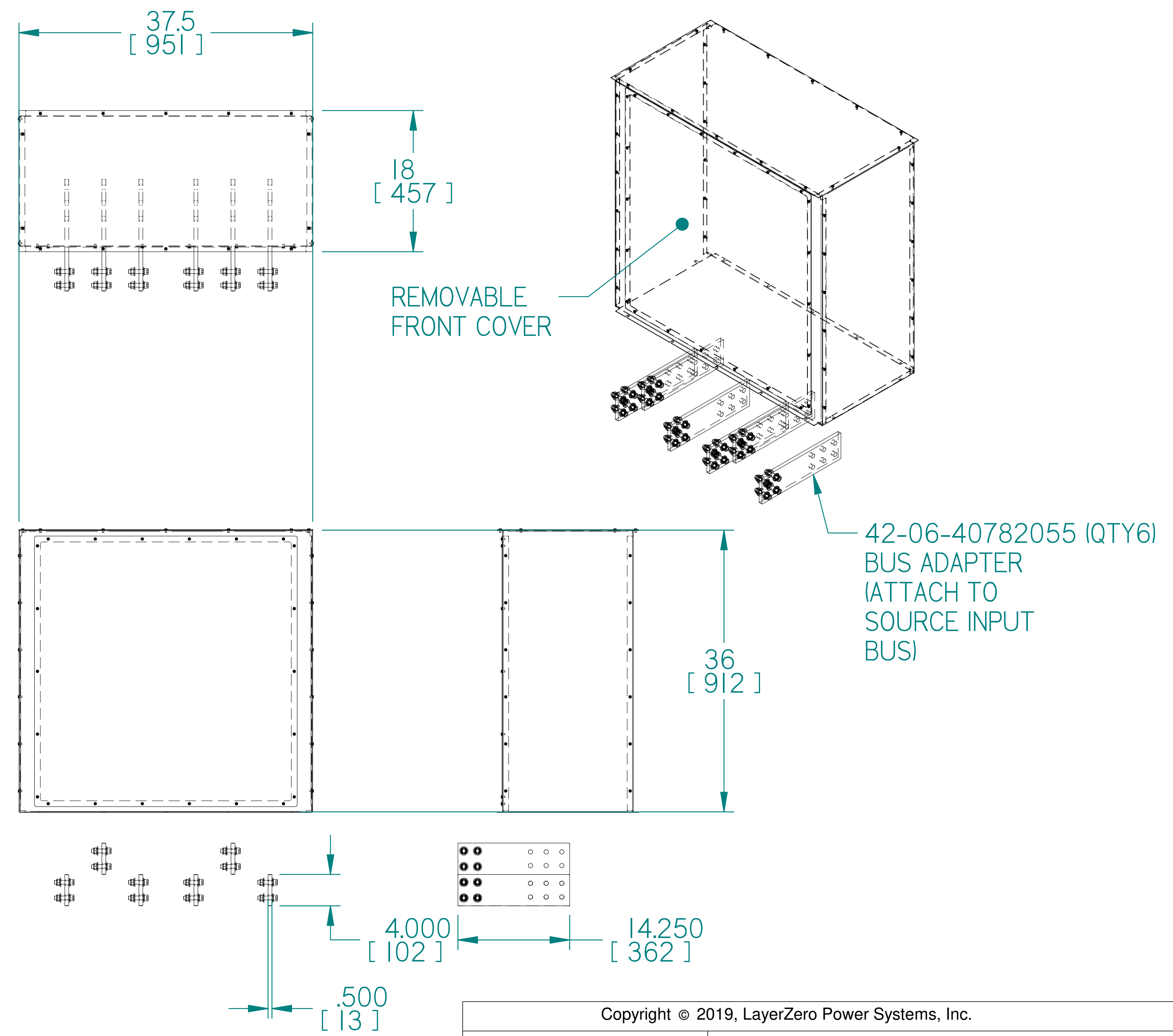
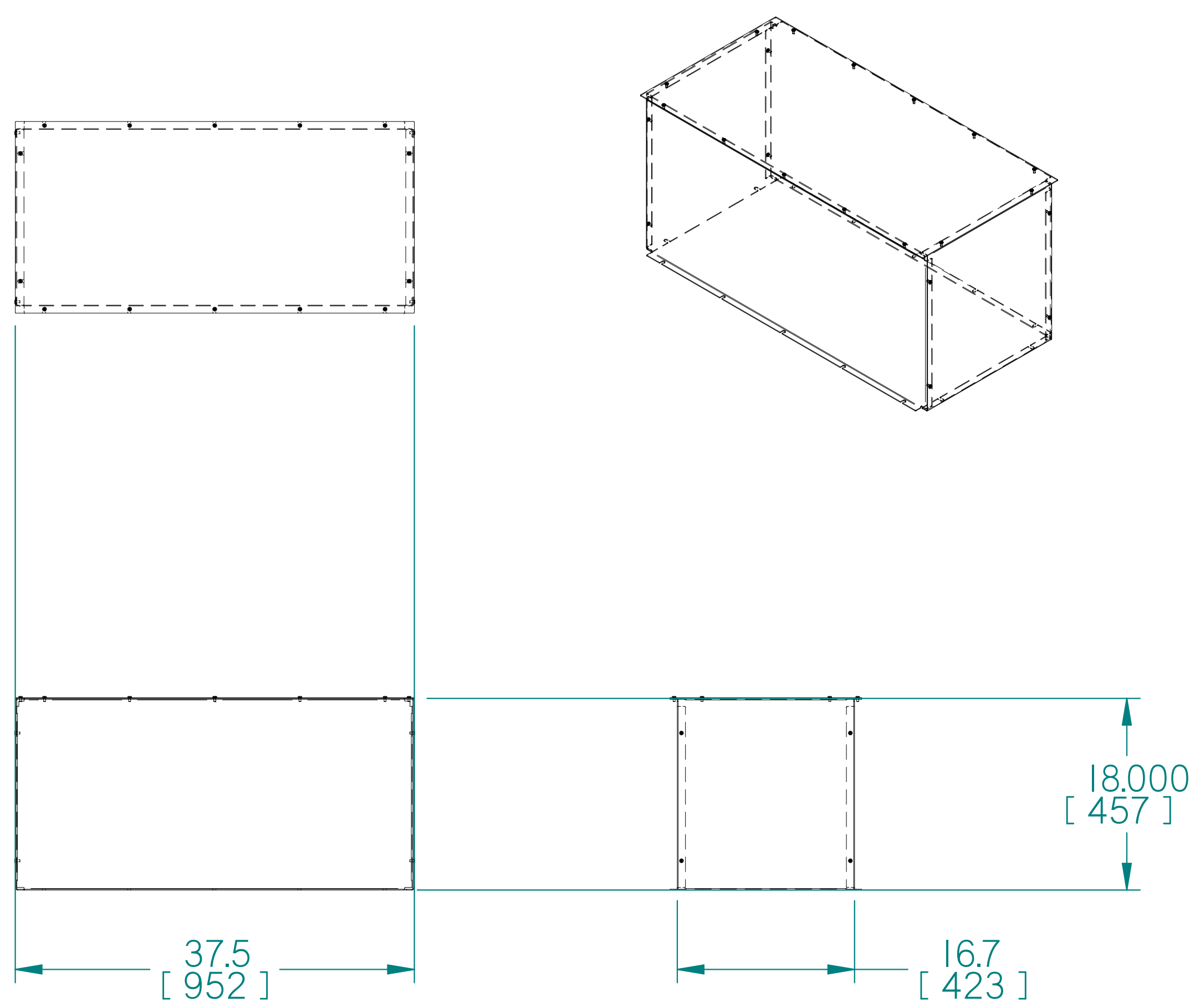
C

B

B

A

A



Copyright © 2019, LayerZero Power Systems, Inc.

UNLESS OTHERWISE SPECIFIED  
DIMENSIONS ARE IN INCHES  
DIMENSIONS IN [ ] ARE IN MM  
DO NOT SCALE DRAWING  
TOLERANCES:  
.XX ± .03  
.XXX ± .010  
ANGULAR ± .1/2

FIRST ANGLE PROJ.

OUTLINE, MOUNTING AND INSTALLATION DIAGRAM  
480V,1600A, 2-Source, 3-Pole  
Series 70eSTS

DWN SPJ	DATE 01.04.2021	SIZE D	FSCM NO.	DWG NO. 94-MS-40780001	REV E
CHK PTP	DATE 01.04.2021	SCALE 1:10	94-MS-40780001REVE	SHEET 5 of 5	

8

7

6

5

4

3

2

1