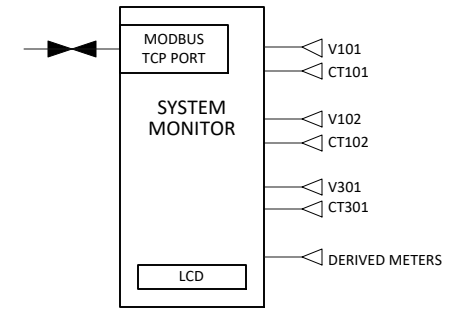
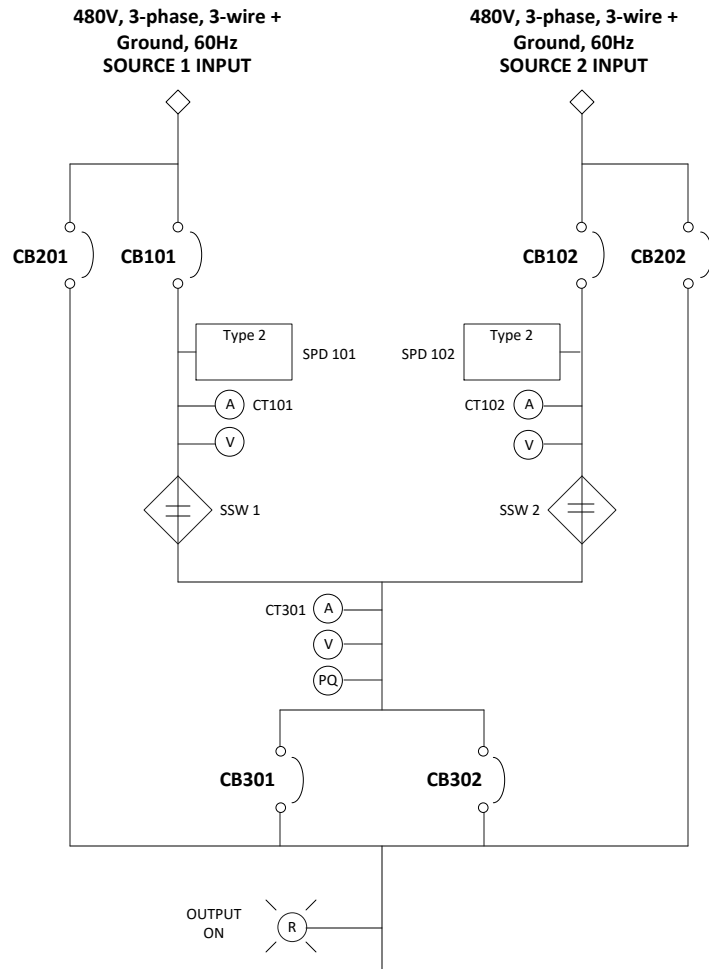


**Series 70 eSTS**  
 2000A, 2-source, 3-pole, 3-wire, 65kA, SMR

| CIRCUIT BREAKER DATA             |        |                                    |                              |          |                          |             |     |                |
|----------------------------------|--------|------------------------------------|------------------------------|----------|--------------------------|-------------|-----|----------------|
| REF NO                           | RATING | FAULT RATING                       | TYPE                         | MOUNTING | AUXILIARY CONTACTS       | SHUNT TRIPS | MFG | BREAKER SERIES |
| CB101<br>CB201<br>CB102<br>CB202 | 2000AF | 125kA @ 480VAC<br>(per UL ratings) | Molded Case Switch<br>3-pole | Fixed    | Yes<br>Internal Use Only | No          | ABB | Tmax T8        |
| CB301<br>CB302                   | 2000AF | 125kA @ 480VAC<br>(per UL ratings) | Molded Case Switch<br>3-pole | Fixed    | Yes<br>Internal Use Only | No          | ABB | Tmax T8        |



NOTE:

REFER TO THE MECHANICAL OUTLINE DRAWING FOR INFORMATION ON THE CUSTOMER CONNECTION TERMINALS.

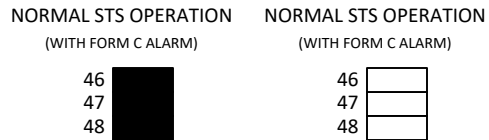
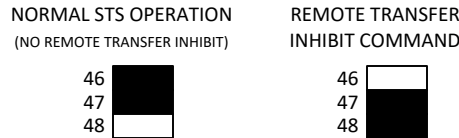
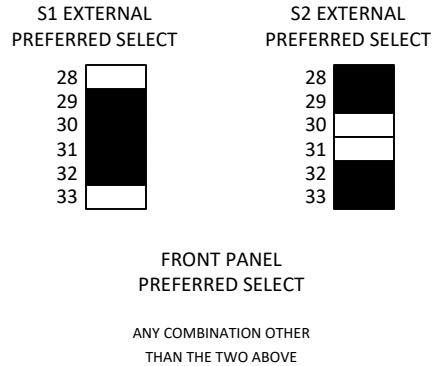
| LEGEND |                              |  |  |  |
|--------|------------------------------|--|--|--|
| (A)    | CURRENT METERING POINT       |  |  |  |
| (V)    | VOLTAGE METERING POINT       |  |  |  |
| (PQ)   | POWER QUALITY METERING POINT |  |  |  |

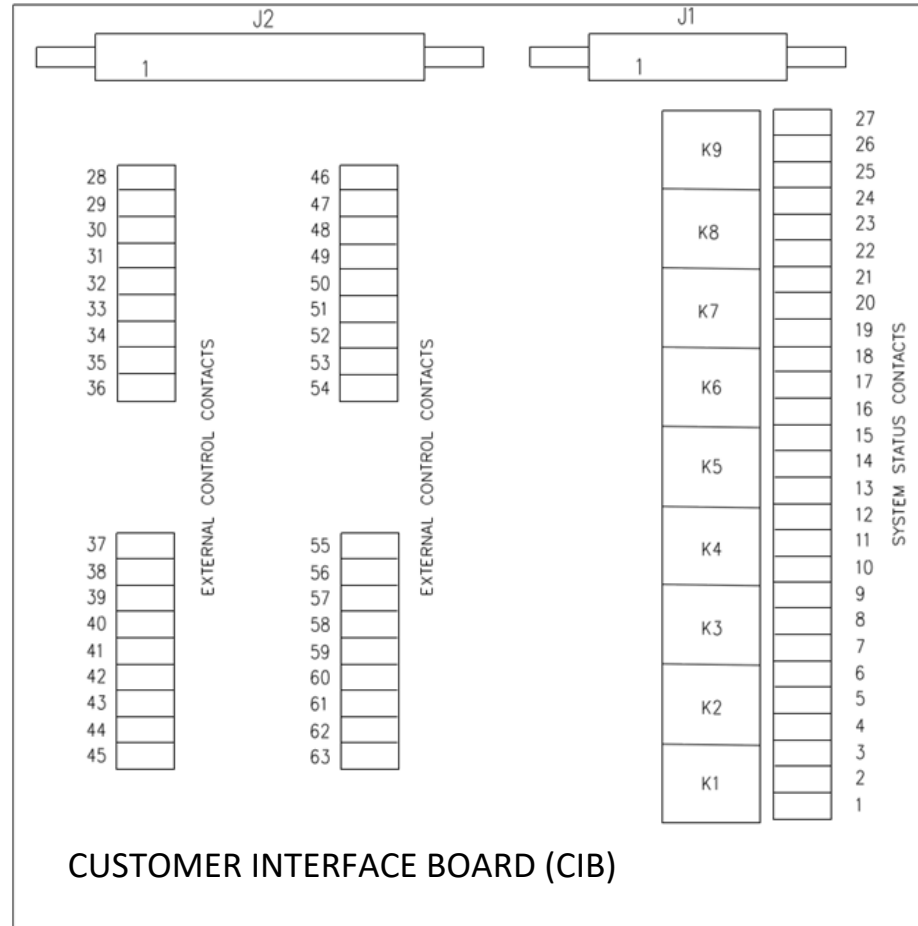
|     |       |                |                        |     |
|-----|-------|----------------|------------------------|-----|
|     |       |                | PAGE DESCRIPTION       |     |
|     |       |                | ONE LINE DIAGRAM, eSTS |     |
| JOB | DRAWN | DATE 6/20/2023 | DWG NO                 | REV |
|     | CHK   | DATE           | eSTS000656             | A   |
|     | APPR  | DATE           | SHEET 1 OF 2           |     |

# CUSTOMER INTERFACE BOARD (CIB)

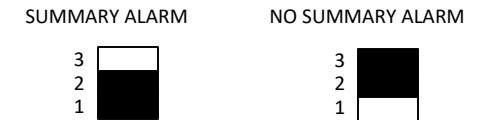
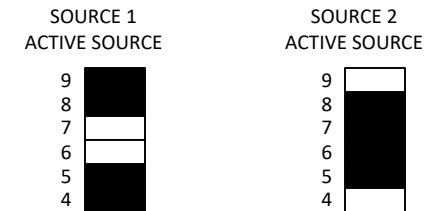
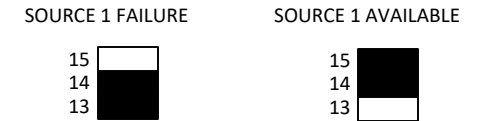
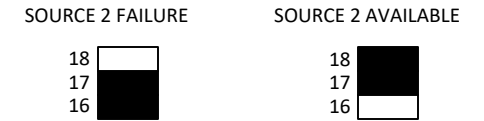
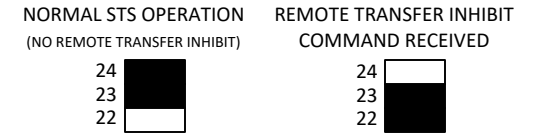
## EXTERNAL CONTROL CONTACTS



SYMBOL FOR CLOSED CONTACTS



## SYSTEM STATUS CONTACTS



### NOTES:

1. TERMINAL NUMBERS REFER TO TERMINALS ON CUSTOMER INTERFACE BOARD (CIB). REFER TO THE MECHANICAL OUTLINE DRAWING FOR EXACT LOCATION OF THE CIB AND CUSTOMER WAN.

2. TERMINALS SUITABLE FOR AWG 20-16 STRANDED COPPER WIRE. MAXIMUM ONE WAY LENGTH FOR #16: 500 ft (152 m).

3. ALL WIRING TO BE IN ACCORDANCE WITH THE NATIONAL ELECTRIC CODE AND ALL LOCAL CODES. CONTROL AND STATUS WIRING MUST BE RUN AND IN SEPARATE CONDUIT FROM POWER WIRING.

4. SYSTEM STATUS OUTPUTS ARE DRY, POTENTIAL-FREE CONTACTS. CUSTOMER REQUIREMENTS ARE AS FOLLOWS:

- Circuit voltage  $V < 250$  V AC with current  $I < 12$  A RMS, power factor = 1.0.
- Circuit voltage  $V < 200$  V DC with current  $I < 0.4$  A.

5. SYSTEM CONTROL INPUTS READ COMMANDS FROM EXTERNAL CONTACTS. CUSTOMER REQUIREMENTS ARE AS FOLLOWS:

- Dry, potential-free contacts.
- Form C
- Contacts are to be capable of switching 24 V DC at 5 mA  $< I < 10$  mA.

|     |       |                |                        |     |
|-----|-------|----------------|------------------------|-----|
|     |       |                | PAGE DESCRIPTION       |     |
|     |       |                | ONE LINE DIAGRAM, eSTS |     |
| JOB | DRAWN | DATE 6/20/2023 | DWG NO                 | REV |
|     | CHK   | DATE           | eSTS000656             | A   |
|     | APPR  | DATE           | SHEET 2 OF 2           |     |