

FRONT ISOMETRIC VIEW
SCALE 2:1

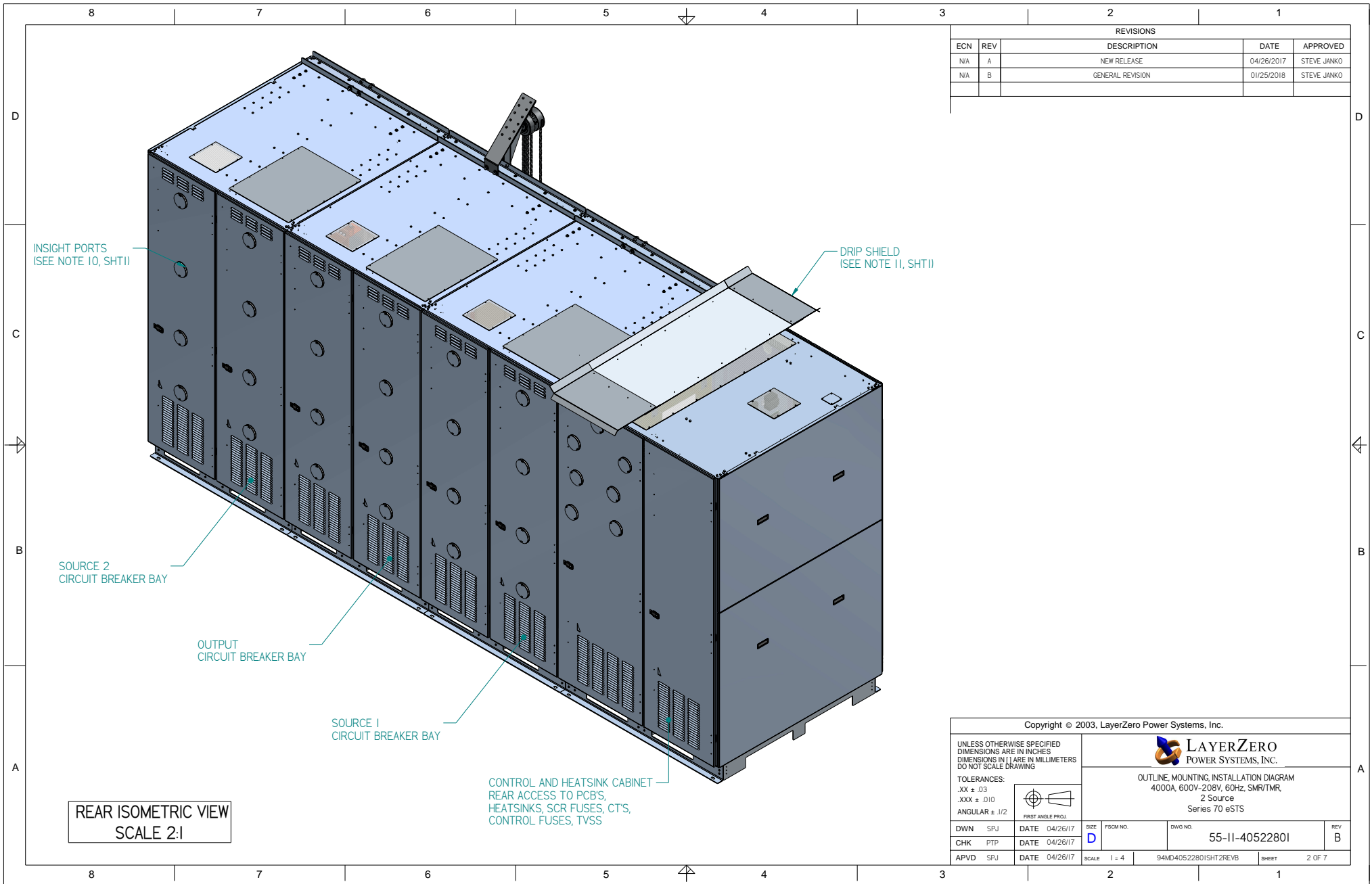
REVISIONS				
ECN	REV	DESCRIPTION	DATE	APPROVED
N/A	A	NEW RELEASE	04/26/2017	STEVE JANKO
N/A	B	GENERAL REVISION ALL SHEETS TO AS BUILT CONDITION	01/25/2018	STEVE JANKO

Notes:

1. Front / Rear access only required for operation and servicing of Series 70 eSTS. Top or Bottom Access is available.
2. The Series 70 eSTS is mounted on split common frame with all internal connections factory provided. There are (3) shipping splits. Floor is to be level to 0.125 48 in all directions.
3. The interconnection between the cabinets will be field installed with all hardware pre-tested and supplied.
4. The Circuit Breakers will be tested and shipped separate for field installation for added security.
5. An optional boom, chain hoist and slings are provided and shipped separately to allow for installation of the Circuit Breakers. The boom mounts to channel above each of the circuit breaker bays.
6. The unit is provided with both frontal and side forklift provision as shown for maneuvering.
7. For the 2 Source Series 70 eSTS, with a 480V / 4000A / 60Hz / TMR / 3-wire configuration:
see Sht 3 for Bottom Cable Access Areas / Sht 4 for Top Cable Access Areas and recommended wire size (Table II)
see Sht 7 for Cable Landing locations
8. Optional 480V/4000A Semi-Conductor fuses are provided for SCR protection.
9. Optional 40kA/Phase Surge Protective Devices with monitoring and internal alarms are supplied per source.
10. Optional External LayerZero InSight Ports are provided to allow for thermal scanning of internal connections.
11. Optional Drip Shield covering heatsink provided shipping separately for filed installation.
12. See One-Line electrical diagram for further detail.
14. Option: Custom bus adaptation from the Input and Output bus to bus ducting is available on demand if cable connection is not used. Please specify bus duct in use at the time of order.

Copyright © 2003, LayerZero Power Systems, Inc.

UNLESS OTHERWISE SPECIFIED DIMENSIONS ARE IN INCHES DIMENSIONS IN [] ARE IN MILLIMETERS DO NOT SCALE DRAWING	<p>LAYERZERO POWER SYSTEMS, INC.</p> <p>OUTLINE, MOUNTING, INSTALLATION DIAGRAM 4000A, 600V-208V, 60Hz, SMR/TMR, 2 Source Series 70 eSTS</p>		<p>FIRST ANGLE PROJ.</p>	SIZE	FORM NO.	DWG NO.	REV	
				D		55-II-4052280I	B	
TOLERANCES: .XX ± .03 .XXX ± .010 ANGULAR ± 1/2	DWN	SPJ	DATE	04/26/17	APVD	SPJ	DATE	04/26/17
	CHK	PTP	DATE	04/26/17	SCALE	1 = 4		94MD4052280I SHT I REV B
					SHEET	1 OF 7		



REVISIONS				
ECN	REV	DESCRIPTION	DATE	APPROVED
N/A	A	NEW RELEASE	04/26/2017	STEVE JANKO
N/A	B	GENERAL REVISION	01/25/2018	STEVE JANKO

Copyright © 2003, LayerZero Power Systems, Inc.

UNLESS OTHERWISE SPECIFIED
DIMENSIONS ARE IN INCHES
DIMENSIONS IN [] ARE IN MILLIMETERS
DO NOT SCALE DRAWING

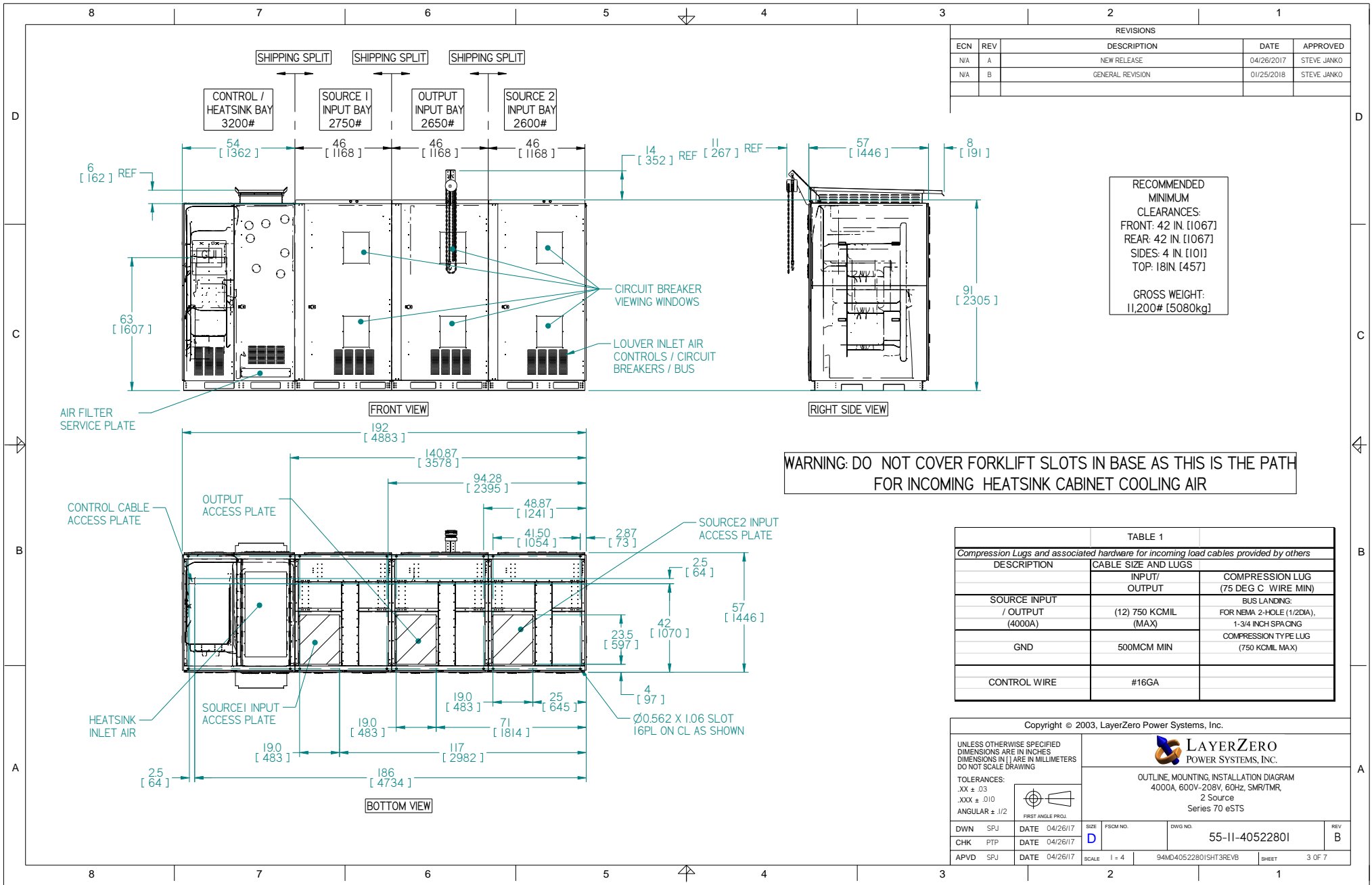
TOLERANCES:
.XX ± .03
.XXX ± .010
ANGULAR ± 1/2

FIRST ANGLE PROJ.

LAYERZERO
POWER SYSTEMS, INC.

OUTLINE, MOUNTING, INSTALLATION DIAGRAM
4000A, 600V-208V, 60Hz, SMRV/TMR,
2 Source
Series 70 eSTS

DWN	SPJ	DATE	04/26/17	SIZE	D	FROM NO.	DWG NO.	55-11-40522801	REV	B
CHK	PTP	DATE	04/26/17	SCALE	1 = 4	94MD40522801SHT2REVB	SHEET	2 OF 7		



REVISIONS				
ECN	REV	DESCRIPTION	DATE	APPROVED
N/A	A	NEW RELEASE	04/26/2017	STEVE JANKO
N/A	B	GENERAL REVISION	01/25/2018	STEVE JANKO

RECOMMENDED MINIMUM CLEARANCES:
 FRONT: 42 IN. [1067]
 REAR: 42 IN. [1067]
 SIDES: 4 IN. [101]
 TOP: 18IN. [457]
 GROSS WEIGHT: 11,200# [5080kg]

WARNING: DO NOT COVER FORKLIFT SLOTS IN BASE AS THIS IS THE PATH FOR INCOMING HEATSINK CABINET COOLING AIR

TABLE 1		
Compression Lugs and associated hardware for incoming load cables provided by others		
DESCRIPTION	CABLE SIZE AND LUGS	COMPRESSION LUG
	INPUT/ OUTPUT	(75 DEG C WIRE MIN)
SOURCE INPUT / OUTPUT (4000A)	(12) 750 KCMIL (MAX)	BUS LANDING: FOR NEMA 2-HOLE (1/2DIA), 1-3/4 INCH SPACING
GND	500MCM MIN	COMPRESSION TYPE LUG (750 KCMIL MAX)
CONTROL WIRE	#16GA	

Copyright © 2003, LayerZero Power Systems, Inc.

UNLESS OTHERWISE SPECIFIED DIMENSIONS ARE IN INCHES DIMENSIONS IN [] ARE IN MILLIMETERS DO NOT SCALE DRAWING

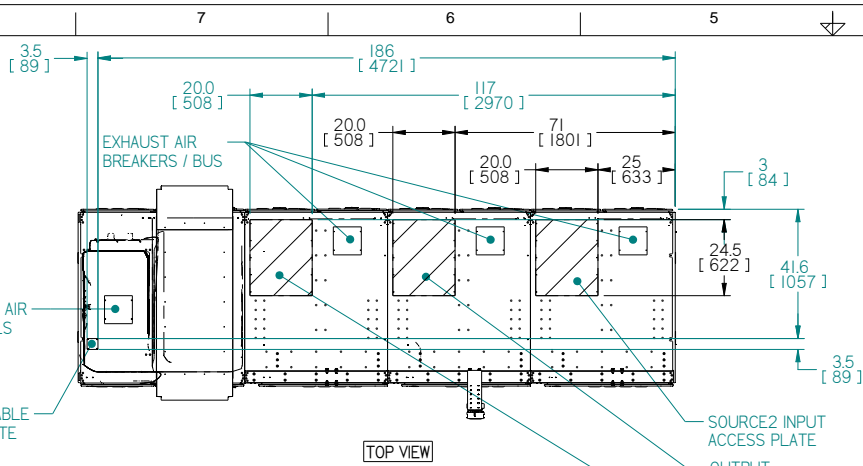
TOLERANCES:
 .XX ± .03
 .XXX ± .010
 ANGULAR ± 1/2

FIRST ANGLE PROJ.

LAYERZERO
 POWER SYSTEMS, INC.

OUTLINE, MOUNTING, INSTALLATION DIAGRAM
 4000A, 600V-208V, 60Hz, SMR/TMR,
 2 Source
 Series 70 eSTS

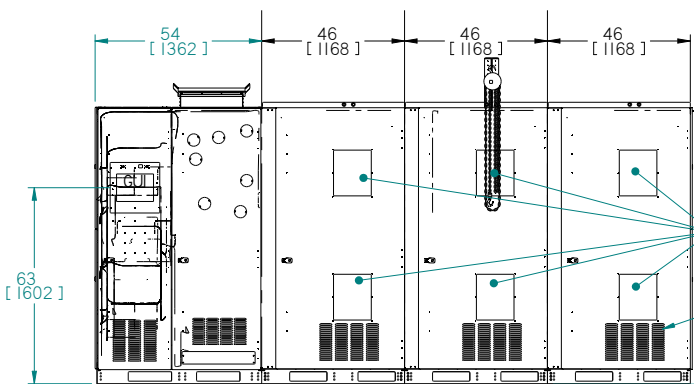
DWN	SPJ	DATE	04/26/17	SIZE	FROM NO.	DWG NO.	REV
CHK	PTP	DATE	04/26/17	D		55-II-40522801	B
APVD	SPJ	DATE	04/26/17	SCALE	1 = 4	94MD40522801SHT3REV B	SHEET 3 OF 7



TOP VIEW

SHIPPING SPLIT SHIPPING SPLIT SHIPPING SPLIT

CONTROL / HEATSINK BAY SOURCE 1 INPUT BAY OUTPUT INPUT BAY SOURCE 2 INPUT BAY



FRONT VIEW

WARNING: DO NOT COVER FORKLIFT SLOTS IN BASE AS THIS IS THE PATH FOR INCOMING HEATSINK CABINET COOLING AIR

RIGHT SIDE VIEW

REVISIONS				
ECN	REV	DESCRIPTION	DATE	APPROVED
N/A	A	NEW RELEASE	04/26/2017	STEVE JANKO
N/A	B	GENERAL REVISION	01/25/2018	STEVE JANKO

RECOMMENDED
MINIMUM
CLEARANCES:
FRONT: 42 IN. [1067]
REAR: 42 IN. [1067]
SIDES: 0 IN.
TOP: 18 IN. [457]

GROSS WEIGHT:
11,200# [5080kg]

Copyright © 2003, LayerZero Power Systems, Inc.

UNLESS OTHERWISE SPECIFIED
DIMENSIONS ARE IN INCHES
DIMENSIONS IN [] ARE IN MILLIMETERS
DO NOT SCALE DRAWING

TOLERANCES:
.XX ± .03
.XXX ± .010
ANGULAR ± .1/2

FIRST ANGLE PROJ.

LAYERZERO
POWER SYSTEMS, INC.

OUTLINE, MOUNTING, INSTALLATION DIAGRAM
4000A, 600V-208V, 60Hz, SMR/TMR,
2 Source
Series 70 eSTS

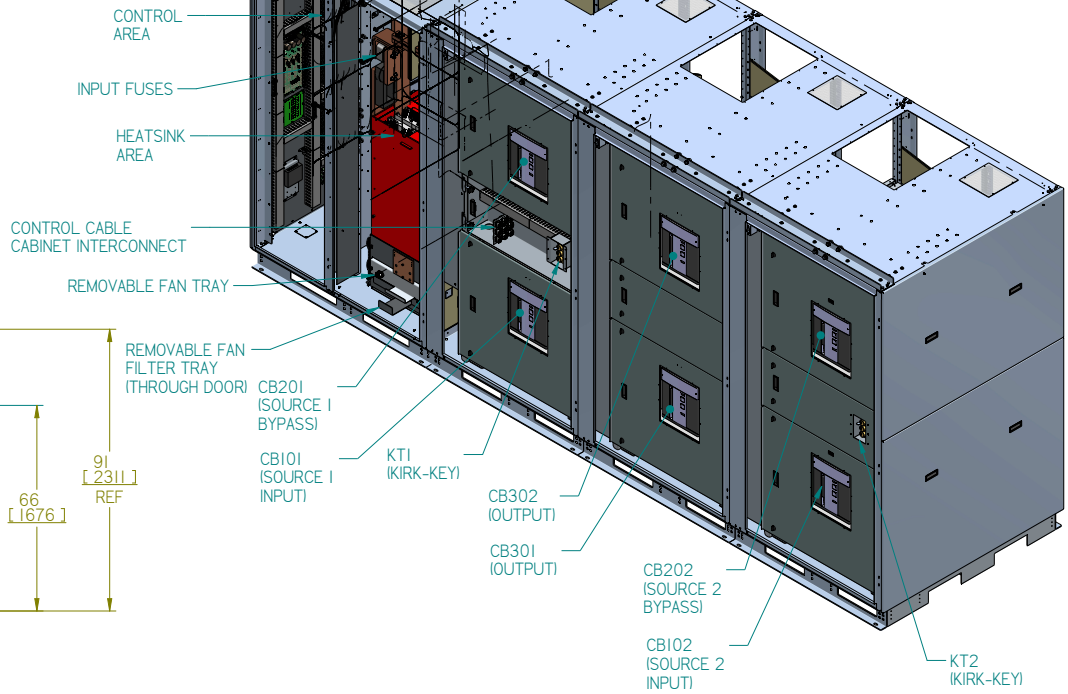
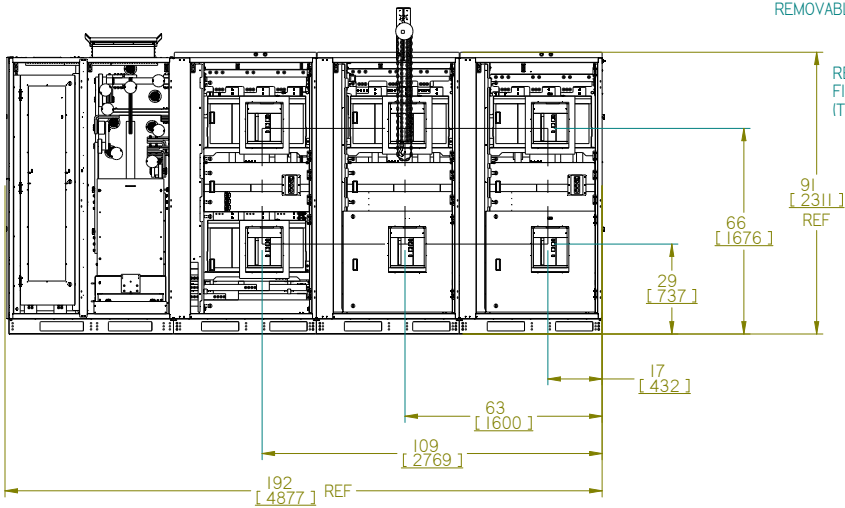
DWN	SPJ	DATE	04/26/17	SIZE	D	FORM NO.	DWG NO.	REV	B
CHK	PTP	DATE	04/26/17	SCALE	1 = 4	94MD40522801SHT4REV B	55-11-40522801	SHEET 4 OF 7	
APVD	SPJ	DATE	04/26/17						

8 7 6 5 4 3 2 1

REVISIONS				
ECN	REV	DESCRIPTION	DATE	APPROVED
N/A	A	NEW RELEASE	04/26/2017	STEVE JANKO
N/A	B	GENERAL REVISION	01/25/2018	STEVE JANKO

FRONT VIEW OF eSTS

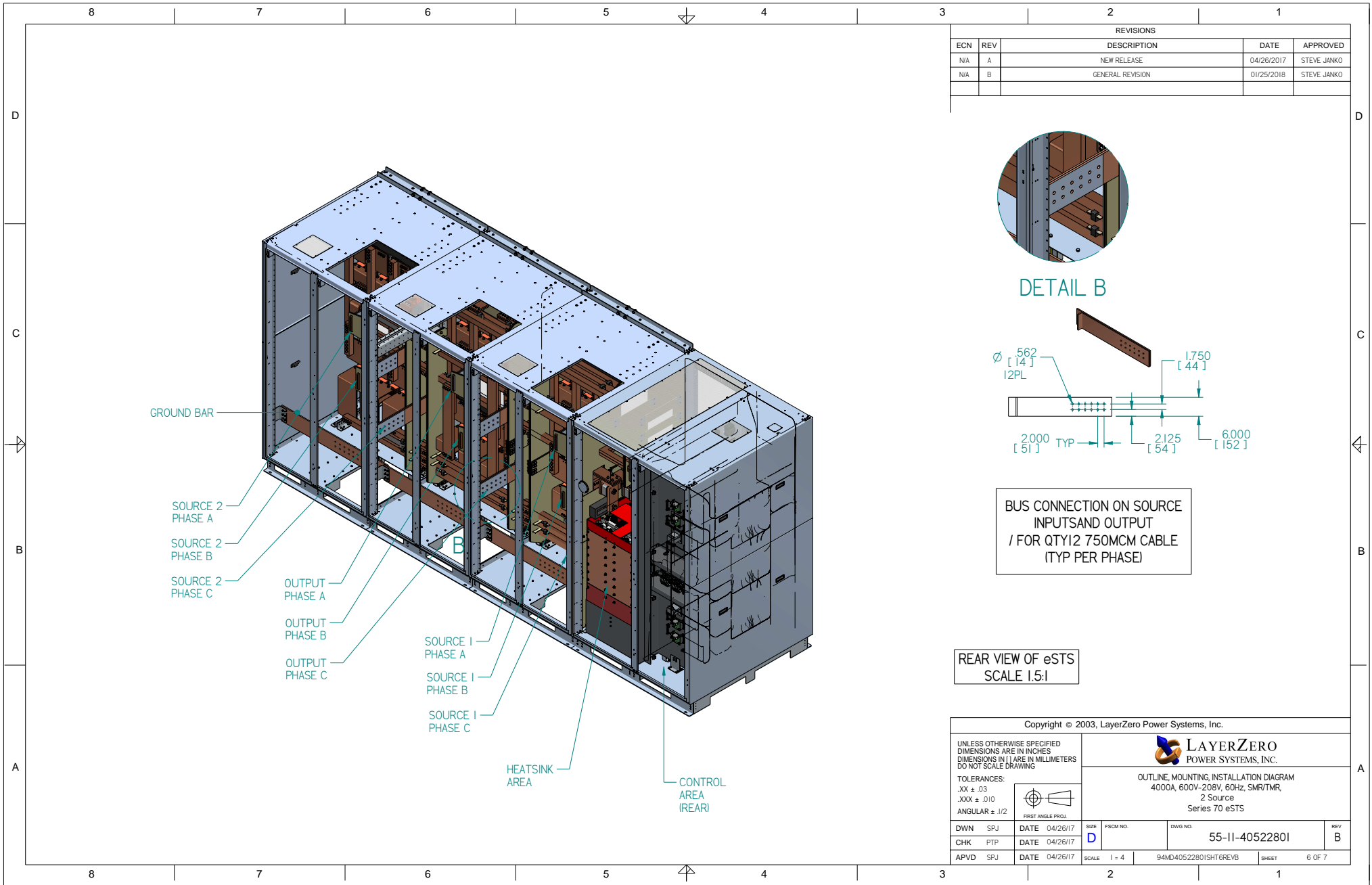
FRONT ISOMETRIC VIEW
SCALE 1.5:1



Copyright © 2003, LayerZero Power Systems, Inc.

UNLESS OTHERWISE SPECIFIED DIMENSIONS ARE IN INCHES DIMENSIONS IN [] ARE IN MILLIMETERS DO NOT SCALE DRAWING		<p>LAYERZERO POWER SYSTEMS, INC.</p> <p>OUTLINE, MOUNTING, INSTALLATION DIAGRAM 4000A, 600V-208V, 60Hz, SMR/TMR, 2 Source Series 70 eSTS</p>							
<p>TOLERANCES:</p> <p>.XX ± .03</p> <p>.XXX ± .010</p> <p>ANGULAR ± 1/2</p>									
DWN	SPJ	DATE	04/26/17	SIZE	D	FROM NO.	DWG NO.	REV	B
CHK	PTP	DATE	04/26/17	SCALE	1 = 4	94MD40522801SHT5REV B	55-II-40522801	SHEET	5 OF 7
APVD	SPJ	DATE	04/26/17						

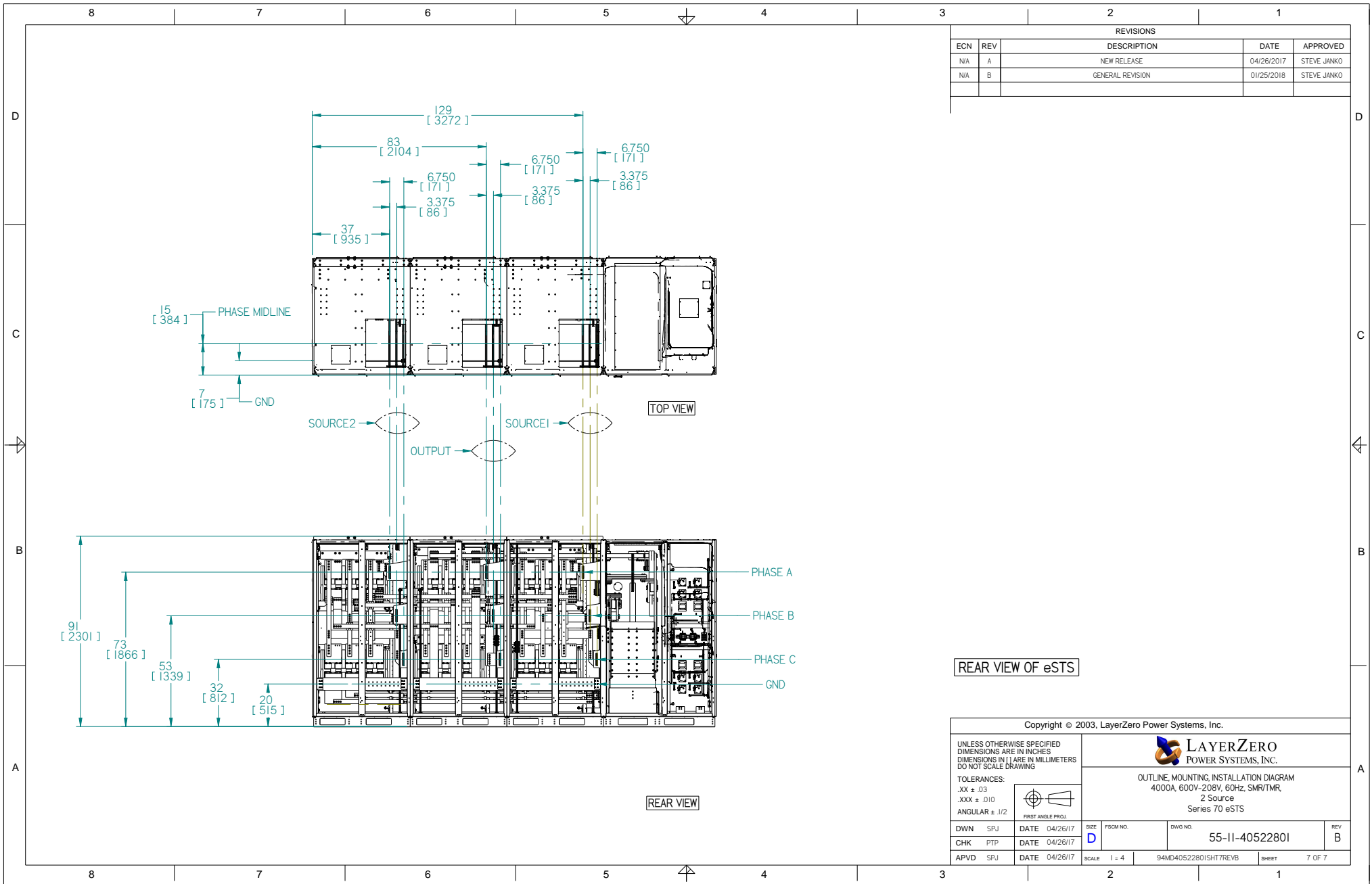
8 7 6 5 4 3 2 1



REVISIONS				
ECN	REV	DESCRIPTION	DATE	APPROVED
N/A	A	NEW RELEASE	04/26/2017	STEVE JANKO
N/A	B	GENERAL REVISION	01/25/2018	STEVE JANKO

**REAR VIEW OF eSTS
SCALE 1.5:1**

Copyright © 2003, LayerZero Power Systems, Inc.				
UNLESS OTHERWISE SPECIFIED DIMENSIONS ARE IN INCHES DIMENSIONS IN [] ARE IN MILLIMETERS DO NOT SCALE DRAWING		<p>LAYERZERO POWER SYSTEMS, INC.</p>		
TOLERANCES: .XX ± .03 .XXX ± .010 ANGULAR ± 1/2		<p>OUTLINE, MOUNTING, INSTALLATION DIAGRAM 4000A, 600V-208V, 60Hz, SMR/TMR, 2 Source Series 70 eSTS</p>		
DWN SPJ	DATE 04/26/17	SIZE D	FROM NO.	DWG NO.
CHK PTP	DATE 04/26/17	SCALE 1 = 4	94MD40522801SHTGREVB	55-11-40522801
APVD SPJ	DATE 04/26/17	SHEET		REV B
		6 OF 7		



REVISIONS				
ECN	REV	DESCRIPTION	DATE	APPROVED
N/A	A	NEW RELEASE	04/26/2017	STEVE JANKO
N/A	B	GENERAL REVISION	01/25/2018	STEVE JANKO

REAR VIEW OF eSTS

Copyright © 2003, LayerZero Power Systems, Inc.

UNLESS OTHERWISE SPECIFIED
DIMENSIONS ARE IN INCHES
DIMENSIONS IN [] ARE IN MILLIMETERS
DO NOT SCALE DRAWING

TOLERANCES:
.XX ± .03
.XXX ± .010
ANGULAR ± 1/2

FIRST ANGLE PROJ.

LAYERZERO
POWER SYSTEMS, INC.

OUTLINE, MOUNTING, INSTALLATION DIAGRAM
4000A, 600V-208V, 60Hz, SMR/TMR,
2 Source
Series 70 eSTS

DWN	SPJ	DATE	04/26/17	SIZE	D	FROM NO.	DWG NO.	REV	B
CHK	PTP	DATE	04/26/17	SCALE	1 = 4	94MD40522801SH7REV B	55-11-40522801	SHEET 7 OF 7	
APVD	SPJ	DATE	04/26/17						